

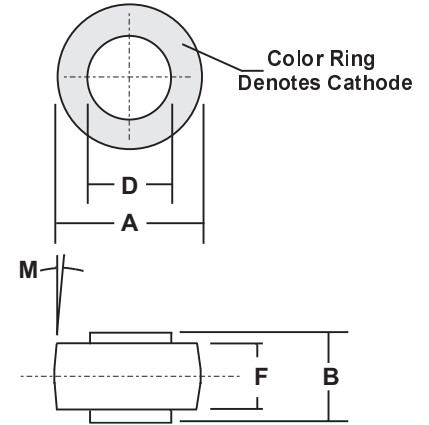
35 AMP OVERVOLTAGE TRANSIENT SUPPRESSORS

FEATURES

- VOID FREE VACUUM DIE SOLDERING FOR MAXIMUM MECHANICAL STRENGTH AND HEAT DISSIPATION (Solder Voids: Typical $\leq 2\%$, Max. $\leq 10\%$ of Die Area)
- LARGE DIE FOR HIGH POWER HEAVY DUTY PERFORMANCE
- HIGH HEAT HANDLING CAPABILITY WITH VERY LOW THERMAL STRESS
- PROPRIETARY JUNCTION PASSIVATION FOR SUPERIOR RELIABILITY AND PERFORMANCE
- LOW FORWARD VOLTAGE DROP

MECHANICAL SPECIFICATION

Die Size:
 0.180" x 0.180"
 Square



MECHANICAL DATA

- Case: Molded Epoxy (UL Flammability Rating 94V-0)
- Finish: All external surfaces are silver plated for corrosion resistance superior solderability
- Soldering Temperature: 210 °C maximum
- Mounting Position: Any
- Polarity: Color band denotes cathode
- Weight: 0.06 Ounces (1.8 Grams)

RoHS COMPLIANT

| DIM | MILLIMETERS | | INCHES | |
|-----|-------------|------|--------|-------|
| | MIN | MAX | MIN | MAX |
| A | 8.43 | 8.69 | 0.332 | 0.342 |
| B | 5.94 | 6.25 | 0.234 | 0.246 |
| D | 5.46 | 5.71 | 0.215 | 0.225 |
| F | 4.19 | 4.45 | 0.165 | 0.175 |
| M | 5° NOM | | 5° NOM | |

MAXIMUM RATINGS & ELECTRICAL CHARACTERISTICS

Ratings at 25 °C ambient temperature unless otherwise specified.
 Single phase, half wave, 60 Hz resistive or inductive load.

| PARAMETER (TEST CONDITIONS) | SYMBOL | RATINGS | UNITS |
|--|-----------------------------------|------------------------|-------|
| Series Number | | TVS3527S | |
| Maximum Recurrent Peak Reverse Voltage | VRRM | 23 | VOLTS |
| Working Peak Reverse Voltage | VRWM | | |
| Maximum DC Blocking Voltage | V _{DC} | | |
| Breakdown Voltage (I _R = 100 mA dc, T _c = 25 °C) | V _(BR) | 24 Min / 32 Max | |
| Average Forward Rectified Current | I _O | 35 | AMPS |
| Non-repetitive Peak Forward Surge Current (Half wave, single phase, 60 Hz sine applied to rated load) | I _{FSM} | 600 | |
| Repetitive Peak Reverse Surge Current (Time Constant = 10 mSec Duty Cycle $\leq 1.0\%$, T _c = 25 °C) | I _{RSM} | 110 | |
| Instantaneous Forward Voltage (I _F = 100A @ 300 μ Sec pulse, T _c = 25°C) | V _F | 1.05 1.00 (Typical) | VOLTS |
| Maximum DC Reverse Current (V _R = 20V DC, T _c = 25 °C) | I _R | 200 | nA |
| Maximum Thermal Resistance, Junction to Case (Note 1) | R _{θJC} | 0.8 | °C/W |
| Junction Operating & Storage Temperature Range | T _J , T _{STG} | -65 to +175 | °C |

Notes: 1) Single Side Cooled

3211-355